

'KESIN' Cast Iron Butterfly Valves



Butterfly Valves are available in two types depending on end connections :

1. Double Flanged Type
2. Wafer Type

OPERATION

Depending upon mode of operation Valves may be supplied as follows :

1. Lever Operated
2. Worm Gear Operated

Part No.	Description	Materials
1.	Body	Cast Iron
2.	Disc	Cast Iron
3.	Shaft	Stainless Steel
4.	Lever	C.I. & M.S.
5.	Seating	Nitrile Rubber / EPDM
6.	'O' Ring Shaft Seal	Nitrile Rubber
7.	Gear Unit	Cast Iron
8.	Pin	Stainless Steel

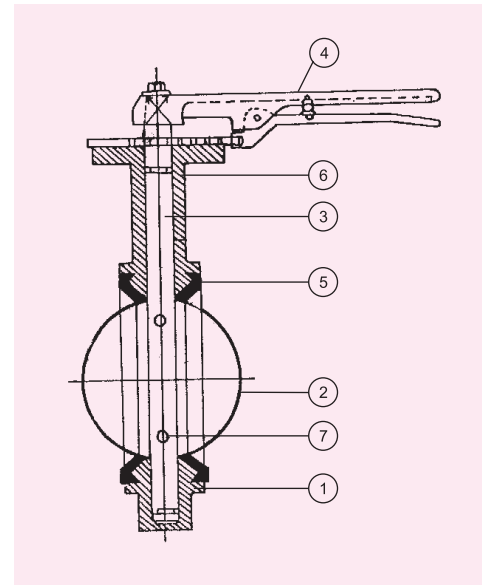


Fig. 27 : Wafer Type (50 - 200 mm)

RATING BAR	LINING	SIZE	TEST PRE. BAR	
			BODY	SEAT
16	NITRILE	50 to 150	24	16
		200 to 300	16	10
14	EPDM	50 to 100	21	14
		200 to 300	15	9

Part No.	Description	Materials
1.	Body	Cast Iron
2.	Disc	Cast Iron
3.	Shaft	Stainless Steel
4.	Seat	Stainless Steel
5.	Seal	Rubber
6.	Seal Retainer	Stainless Steel
7.	Bush	G.M.
8.	Bush	G.M.
9.	Lock Washer	Stainless Steel
10.	End Cover	M.S. IS-226
11.	'U' Cup Seal	Rubber
12.	Seal Retainer	G.M.
13.	Cover	M.S.
14.	Gear Box Unit	C.I. / M.S.
15.	Hand Wheel	M.S.

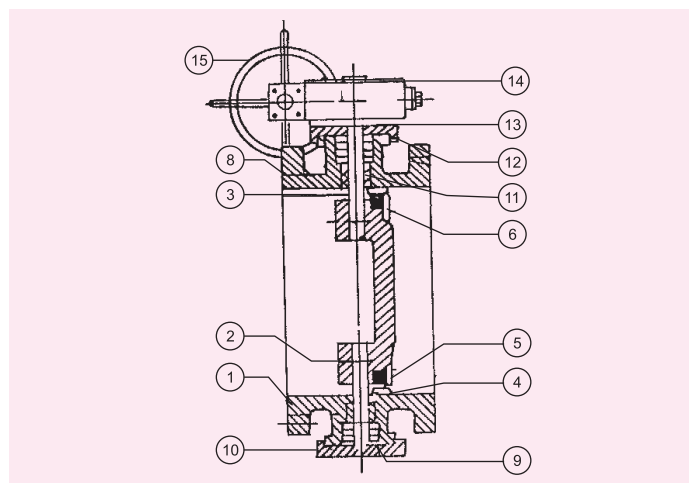


Fig. 28 : Double Flanged Type (50 - 1600 mm)

Hyd. Pressure	Body	Seat
Size : 50 to 300 mm	30 Kg/cm ²	15 Kg/cm ²
300 & above	10 Kg/cm ²	6 Kg/cm ²



'KESIN' Cast Iron Butterfly Valves

Table 22 : Face to Face Dimensions

Nominal Size	Double Flanged Short	Double Flanged Long	Wafer Short	Wafer Medium	Wafer Long	Wafer
	Face-to-Face dimensions for nominal pressure not exceeding		Face-to-Face dimensions for nominal pressure not exceeding			
	DN	PN 2.5 Class 125/150	PN 4.0 Class 300	PN 2.5 Class 125/150	PN 2.5 Class 150	
40	106	140	33	--	--	--
50	108	150	43	--	--	--
65	112	170	46	--	--	--
80	114	180	46	--	64	49
100	127	190	52	--	64	56
125	140	200	56	--	70	64
150	140	210	56	--	78	70
200	152	230	60	--	89	71
250	165	250	68	--	114	76
300	178	270	78	--	114	83
350	190	290	--	92	127	127
400	216	310	--	102	140	140
450	222	330	--	114	152	160
500	229	350	--	127	152	170
600	267	390	--	154	178	200
700	292	430	--	--	229	--
800	318	470	--	--	241	--
900	330	510	--	--	241	--
1000	410	550	--	--	300	--
1200	470	630	--	--	350	--
1400	530	710	--	--	390	--
1600	600	790	--	--	440	--
1800	670	870	--	--	490	--
2000	760	950	--	--	540	--

NOTES :

1. Wafer type Valves may not be available in all combinations of materials and face to face dimensions.
2. However Valves with face to face dimensions as per AWWA C-504 are in common practice.
3. Flange dimensions are as per IS-1538/93.