

'KESIN' Cast Iron Double Flanged Swing Check Type Reflux Valves, Single Door Pattern (50mm - 600mm)



1. Reflux valves are generally used on rising mains as they permit water to flow in one direction only and check all the return flows. They are operated by pressure alone, having no external means of control.
2. Reflux Valves are designated by Nominal Pressure (PN) defined as maximum permissible gauge working pressure.

Size of valves mm	Nominal Pressure Kg/cm ²
50 to 125	16
150 to 300	10
350 to 600	6

Range	Tolerance on Length
200 to 350	± 12
400 to 600	± 13
700 to 800	± 14
900 to 1000	± 15
1100 to 1300	± 16

Table 7 : Dimensions of Reflux Valves

Size	50	65	80	100	125	150	200	250	300	350	400	450	500	600
Length	203	216	241	292	330	356	495	622	698	787	914	978	978	1295
Hinge Pin Dia mm	10	10	10	12	12	16	20	22	25	25	32	32	38	38

Table 8 : Size of By-pass

Size	50	65	80	100	125	150	200	250	300	350	400	450	500	600
Size of by-pass arrangements	10	10	10	10	15	15	25	25	40	40	40	50	50	65

NOTE : For materials of component parts see page 123

Table 9 : Test Duration

PN Rating	Test for	Test Pressure Kg/cm ²	Test Duration Minutes
PN 1.6	Body Seat	24	5
		16	2
PN 1.0	Body Seat	15	5
		10	2
PN 0.6	Body Seat	9	5
		6	2

NOTE : Valves with DASH POT arrangement may also be supplied.



'KESIN' Cast Iron Double Flanged Swing Check Type Reflux Valves

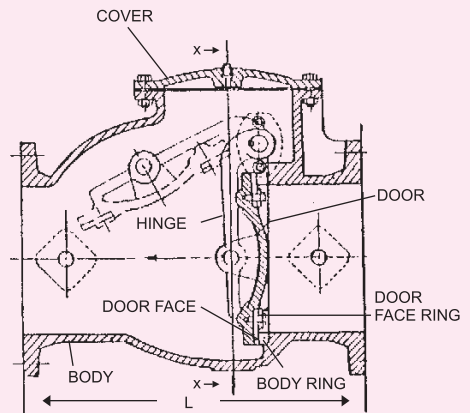
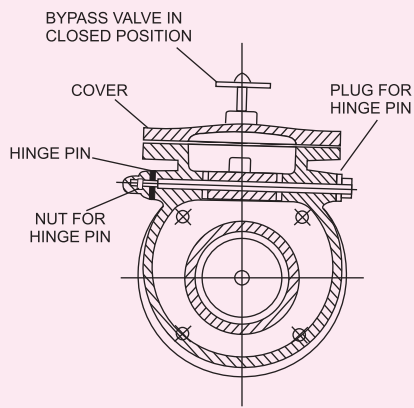


Fig. 10 : Reflux Valve with Vertical Seating and integral By-Pass Arrangement

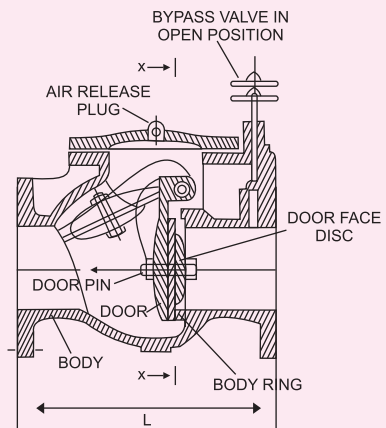
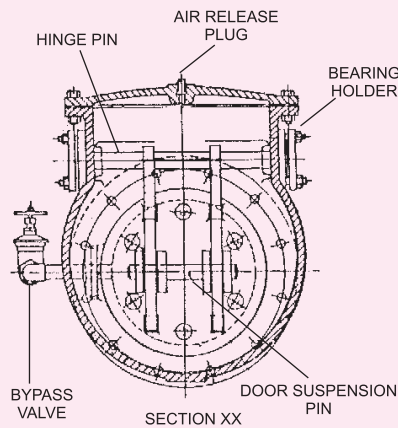


Fig. 11 : Reflux Valve with Vertical Seating and side By-Pass Arrangement

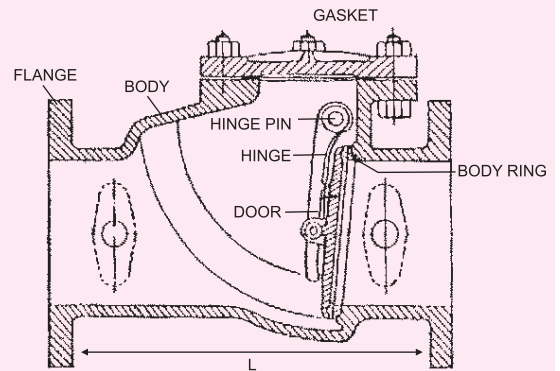
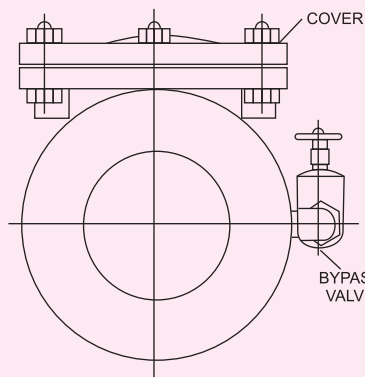


Fig. 12 : Reflux Valve with Inclined Seating and side By-Pass Arrangement