

'KESIN' Cast Iron Flanged Foot Valve with Strainer



A foot valve is generally placed at the lower end of the suction pipe of a centrifugal pump to prevent the suction pipe from emptying while the pump is at rest; consequently, when the pump is first started it does not have to exhaust the air from the suction pipe with the result that prompt starting of the pump is secured. Foot valve is particularly useful when the suction lift or vertical height of the pipe is considerable.

SWING TYPE

Swing type valves of sizes upto 150 mm shall have a single disc. Sizes exceeding 150 mm shall preferably have two discs of semi-circular type. Lift type valves are recommended upto size 100 mm only.

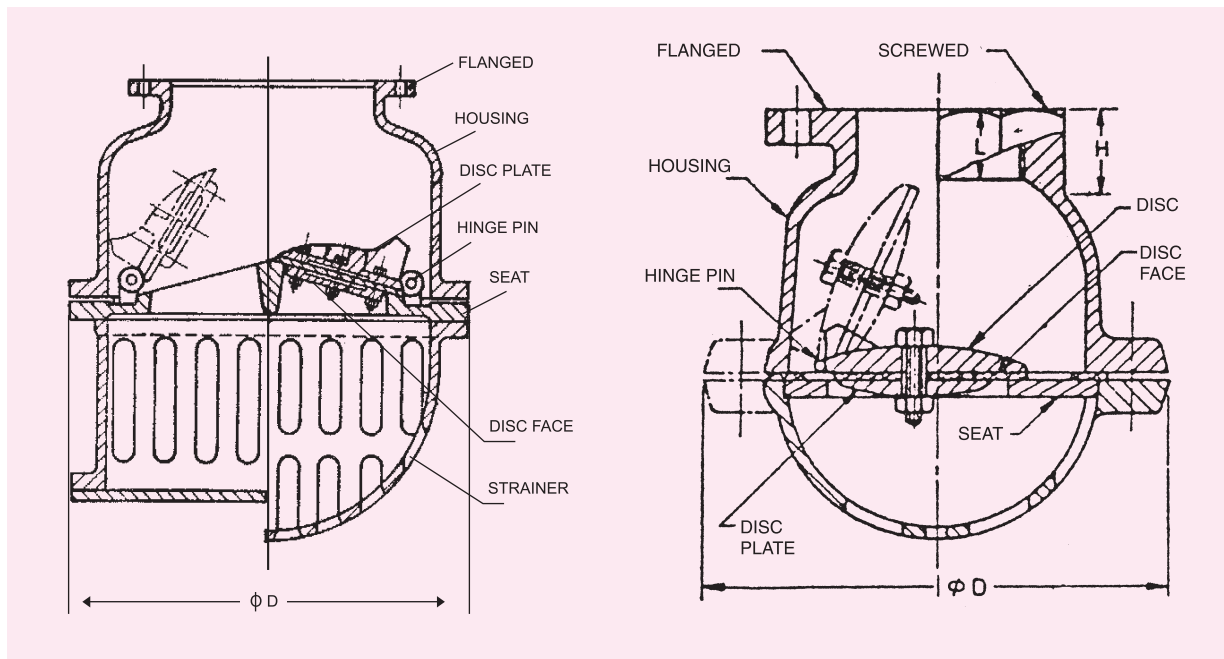


Fig. 20 : SWING TYPE (Double Disc)

Fig. 21 : SWING TYPE Flanged / Screwed End (with Single Disc)





'KESIN' Cast Iron Flanged Foot Valve with Strainer (Lift Type)

LIFT TYPE

Lift Type Valve are recommended upto size 100 mm only. Flange end Cast Iron Foot valve with Cast Iron Strainer and G.M. working Parts. Hydraulically tested to 250 l.b.s. P.S.I.

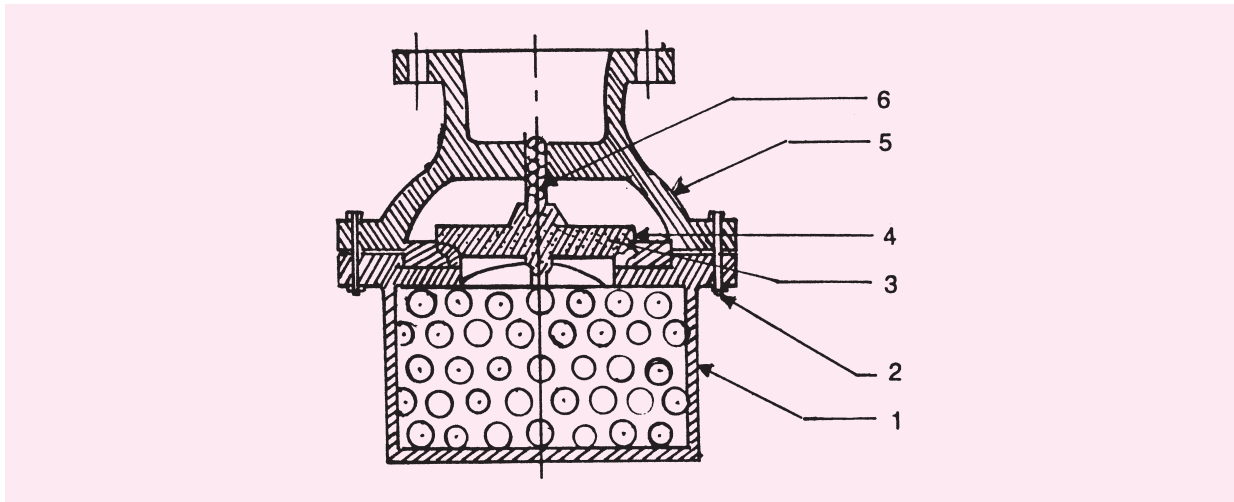


Fig. 22 : Lift Type (Rising) (Flanged End)

Table 16 : Dimensions of Strainer Holes

Nominal Size of Valve	Max. Dia of Hole (when Circular)	Max. Valve Small Dimensions of Hole (when non-circular)
25	10	10
32	10	10
40	12	12
50	12	12
65	12	12
80	12	12
100	20	16
125	20	16
150	20	16
200	22	20
250	22	20
300	25	22
350	25	22
400	28	22
450	28	22

Table 17 : Material for Component Parts

Sl. No.	Description	Materials
1.	Strainer	C.I. / S.S / MS (Galvanised)
2.	Bolt & Nut	Mild Steel
3.	Body Ring Face	G.M.
4.	Valve Ring Face	G.M /S.S/Rubber/Leather
5.	Body	C.I.
6.	Guide	Mild Steel

NOTES :

1. Cast Iron flanged foot valve is available in sizes from 25 mm to 450 mm dia with/without attached C. I. Strainer.
2. The valve is available with GM Stainless Steel, leather, Natural Rubber, Cotton Reinforced Synthetic Rubber Disc Faces.
3. Flanges are drilled to IS-1538, see Page 13, Table 8 of our catalogue for Cast Iron Pipes Fittings & Specials.
4. If nothing is specified with the purchase order normally Lift Type will be supplied upto 100 mm dia NB and Swing Type thereafter.